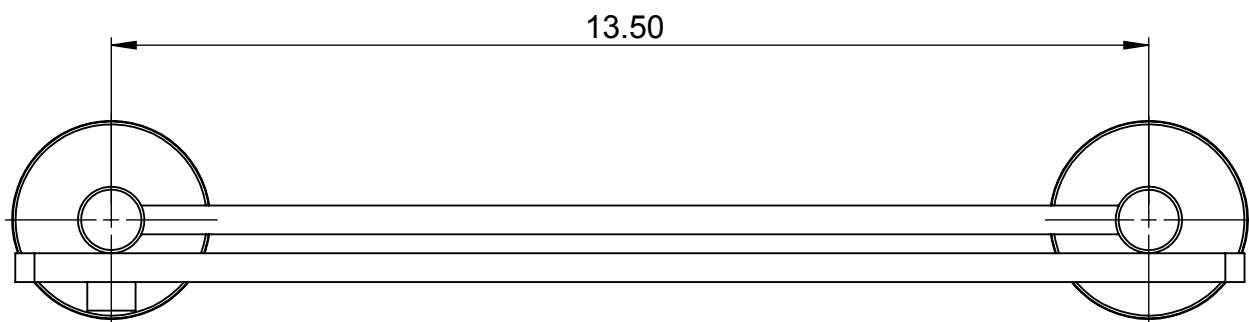


## INSTALLATION INSTRUCTIONS

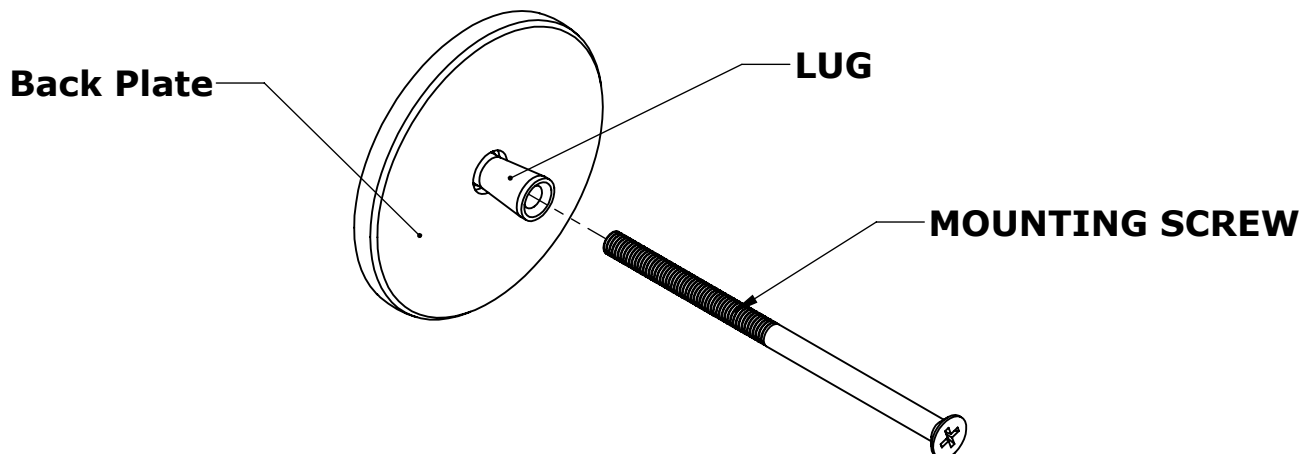
### Step 1: Drill Holes into the Wall

Measure and mark for two holes in the wall based on the center to center of the Towel Bar. Drill 1/2" holes into marks for Toggle Wings and screws.



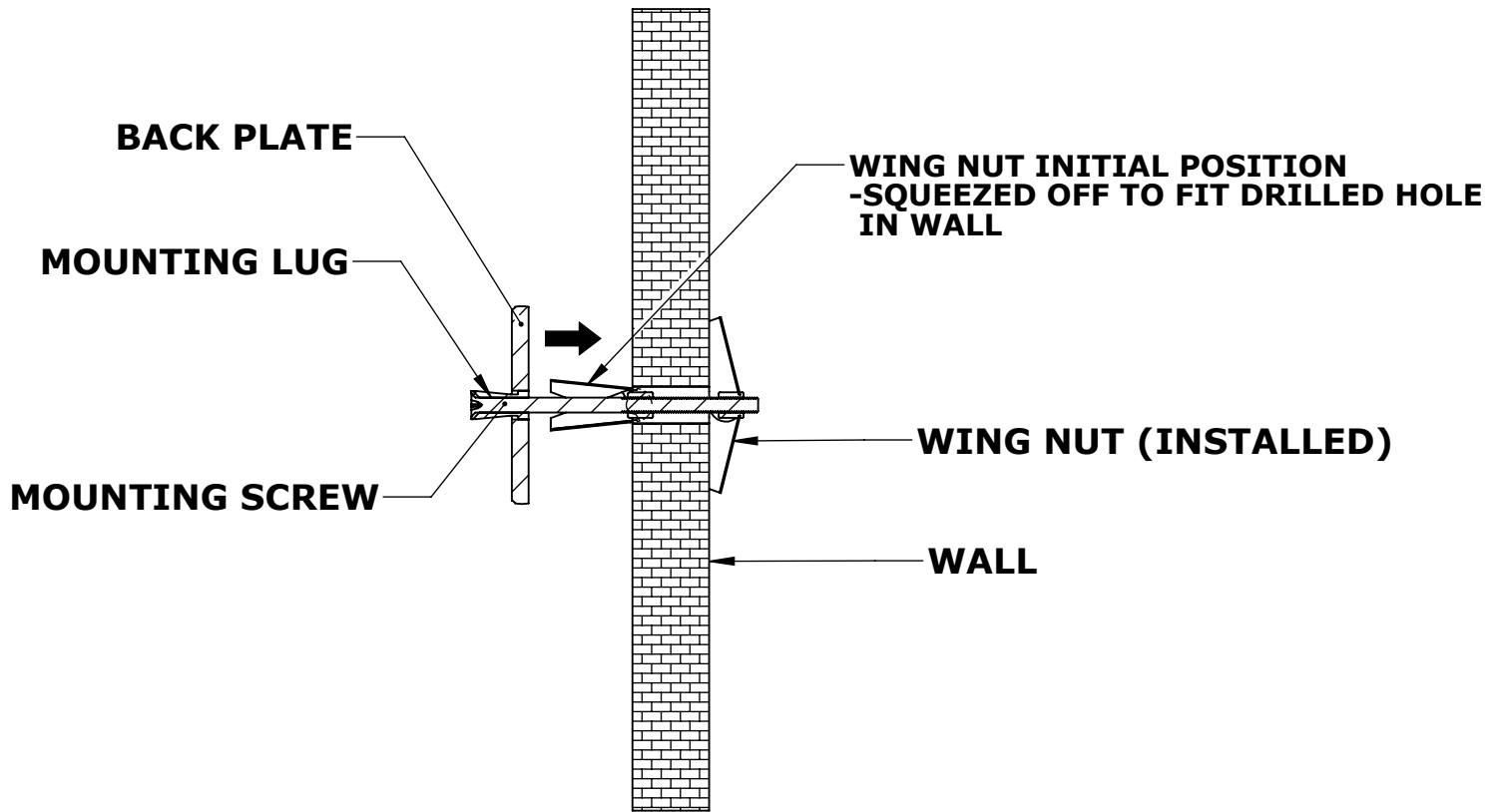
### Step 2: Mounting of Screws

Screws are inserted through the mounting lug so that it protrudes through other side of backplate.



### Step 3: Wing Nut Installation

Wing nut is attached to screw and pushed into wall. Make sure the head of the screw fits inside the countersink of the mounting lug. Make same process on mounting the other Back Plate.



### Step 4: Tower Bar Installation

Backplates are tightened against wall and Towel Bar are attached to mounting lug with the use of set screws.

